

Technical data sheet

Product features



Cooking range electric

| | | |
|--------------|-----------------|----------|
| Model | SAP Code | 00008586 |
|--------------|-----------------|----------|



- Device type: Electric unit
- Power consumption of the zone 1 [kW]: 2,6
- Power consumption of the zone 2 [kW]: 2,6
- Protection of controls: IP24
- Material: AISI 304 top plate and cladding

| | | | |
|------------------------|----------|---|--------------------|
| SAP Code | 00008586 | Power electric [kW] | 5.200 |
| Net Width [mm] | 400 | Loading | 400 V / 3N - 50 Hz |
| Net Depth [mm] | 730 | Number of zones | 2 |
| Net Height [mm] | 300 | Power consumption of the zone 1 [kW] | 2,6 |
| Net Weight [kg] | 23.60 | Power consumption of the zone 2 [kW] | 2,6 |

Technical data sheet

Technical drawing

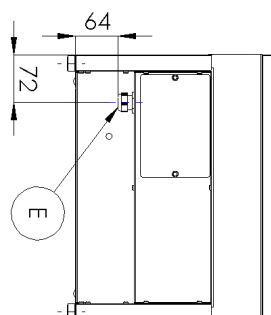
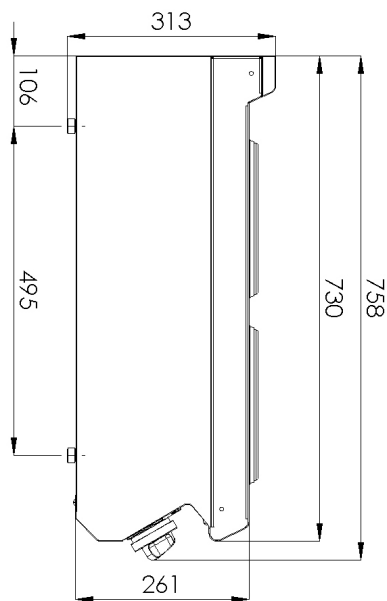
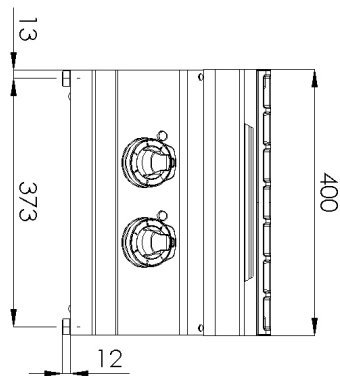


Cooking range electric

Model

SAP Code

00008586



Technical data sheet

Technical parameters



Cooking range electric

Model

SAP Code

00008586

1. SAP Code:

00008586

2. Net Width [mm]:

400

3. Net Depth [mm]:

730

4. Net Height [mm]:

300

5. Net Weight [kg]:

23.60

6. Gross Width [mm]:

440

7. Gross depth [mm]:

800

8. Gross Height [mm]:

480

9. Gross Weight [kg]:

28.50

10. Device type:

Electric unit

11. Construction type of device:

Table top

12. Power electric [kW]:

5.200

13. Loading:

400 V / 3N - 50 Hz

14. Protection of controls:

IP24

15. Exterior color of the device:

Stainless steel

16. Material:

AISI 304 top plate and cladding

17. Indicators:

operation

18. Worktop type:

Molded - comfortable cleaning maintenance

19. Worktop material:

AISI 304

20. Number of zones:

2

21. Power consumption of the zone 1 [kW]:

2,6

22. Power consumption of the zone 2 [kW]:

2,6

23. Maximum device temperature [°C]:

400

24. Minimum device temperature [°C]:

50

25. Service accessibility:

Trough the frontal panel

26. Number of burners/hot plates:

2

27. Type of electric cooking zones:

Oval